



DIFFERENTIAL MANOMETER MUR TYPE

Manometers MUR type are used for accurate measurement of overpressure, pressure below atmospheric and pressure difference.

These manometers can be used:

- for measurement of volume flux by contracting method,
- for measurement of liquid level by hydrostatic or hydropneumatic method,
- for various laboratorial and industrial measurements

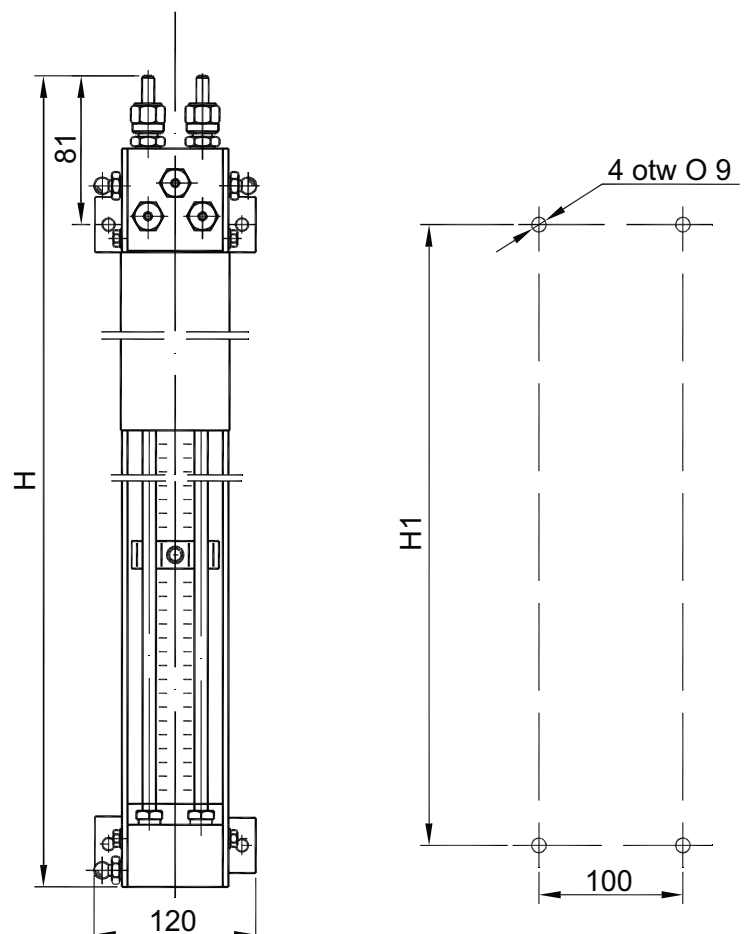
Manometers MUR type are proof on aggressive factors. They have simple construction and easy service.

CONSTRUCTION

Manometers are built of:

- dismountable connections,
- block of valves,
- vessels for manometer liquid,
- glass pipes,
- shield of 'metaplex' with scale,
- enclosure with fixing bracket

**Manometers MUR type
are produced in acidproof version.**





Main dimensions in mm

Type	H	H1
MUR – 760	1170	1060
MUR - 1200	1610	1500

TECHNICAL DATES

Measuring range	102 i 160 kPa (gas above mercury)
Length of scale	7,5 i 11,8 kPa (gas above water)
Type of scale	- mm - kPa - dual in kPa and mm
Working pressure	6,4 MPa
Ambient temperature	-25°C ÷ +50°C
Measuring error for scale in mm	± 0,5 mm
Manometer class with scale in kPa	1

PRESSURE			PRESSURE		
Readout	Mercury 20 °C	Water 20 °C	Readout	Mercury 20 °C	Water 20 °C
mm	kPa	Pa	mm	kPa	Pa
1	0,13	9,78	80	10,63	782,62
2	0,26	19,56	90	11,96	880,44
3	0,40	29,35	100	13,29	978,27
4	0,53	39,13	200	26,58	1956,54
5	0,66	48,91	300	39,87	2934,81
6	0,80	58,70	400	53,16	3913,08
7	0,93	68,48	500	66,45	4891,35
8	1,06	78,26	600	79,74	5869,62
9	1,20	88,04	700	93,03	6847,89
10	1,33	97,83	760	101,00	7434,86
20	2,66	195,65	800	106,32	7826,16
30	3,99	293,48	900	119,61	8804,43
40	5,32	391,31	1000	132,90	9782,70
50	6,64	489,13	1100	146,19	10760,98
60	7,97	586,96	1200	159,48	11739,25
70	9,30	684,79			

Column of liquid in mm and values in kPa and Pa for mercury and water.