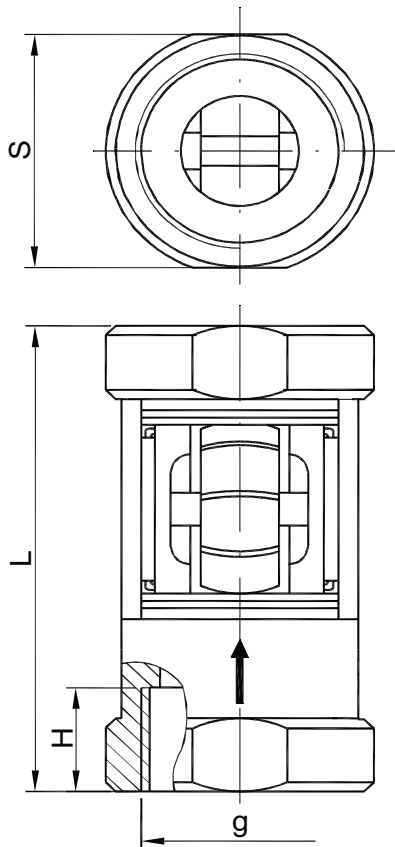


FLOW INDICATOR W TYPE



They are used to control the liquids flow which flows through the indicator. The sight-glass it is glass cylinder by which it is possible seeing rotor. The revolutions of rotor are proportional to flow so it is possible valuation the instantaneous flow rate.



MATERIALS		
	STANDARD EXECUTION	ACIDPROOF EXECUTION
Frame	MO59	1H18N9T
Rotor	POM	PPS
Cylinder	glass	glass
o-ring	fluorine rubber	fluorine rubber



TECHNICAL DATES

	Type	Q _{max} , l/min H ₂ O	p, bar	t _{max} , °C	Dimensions				Mass
					g, "	L, mm	H, mm	S, mm	
Standard execution	W 1/2"	12	10	100	1/2	104	14	32	0,6
	W 3/4"	25	10	100	3/4	106	15	46	0,65
	W 1"	40	10	100	1	114	17	46	0,7
	W 1 1/4"	80	10	100	1 1/4	135	19	65	1,5
	W 1 1/2"	100	10	100	1 1/2	140	20	65	1,6
	W 2"	180	10	100	2	156	22	70	3,1
Acidproof execution	W 1/2"	12	10	100	1/2	104	14	32	0,6
	W 3/4"	25	10	100	3/4	106	15	46	0,65
	W 1"	40	10	100	1	114	17	46	0,7
	W 1 1/4"	80	10	100	1 1/4	135	19	65	1,5
	W 1 1/2"	100	10	100	1 1/2	140	20	65	1,6
	W 2"	180	10	100	2	156	22	70	3,1

Flow indicator load: 100N

Visibility of rotor: 360°